

BALAJEE INTERIOR

Your Solution...Our Shapes...



UPVC & ALUMINIUM Door and window System



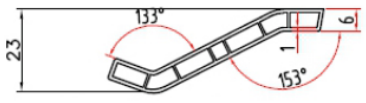
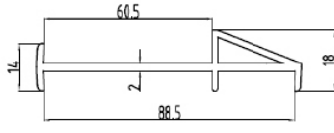
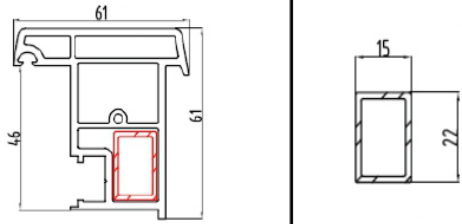
CASMENT DIAMOND SERIES - 60 MM

SL. NO	NAME & DETAILS	CODE NO	SECTIONAL VIEW	REINFORCEMENT	WEIGHT / METER	PACK QTY.	LENGTH (MTRS)
1	Casement Window Outer Frame	I-CW-OT-001	* 		1.000	4	5.9
2	Casement Outward Window Sash	I-CW-OT-002	** 		1.300	4	5.9
3	Casement Outward Door Sash	I-CW-OT-003	** 		1.570	2	5.9
4	T - Mullion	I-CW-OT-004	** 		1.050	4	5.9
5	Casement Inward window Sash	I-CW-OT-006	** 		1.230	4	5.9

* Single Rubber co extrusion weight add 0.045 kg / m & ** double rubber co-extrusion, weight add 0.09 kg/m & # Specific order

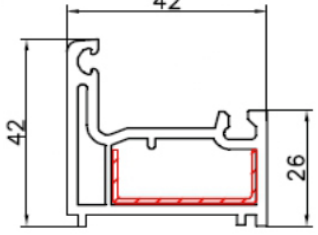
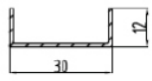
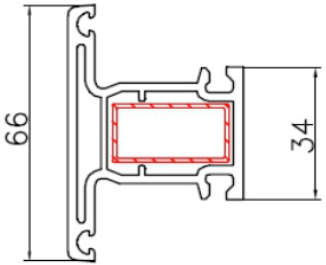
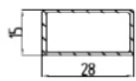
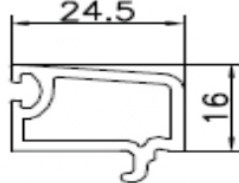
CASMENT DIAMOND SERIES - 60 MM

SL. NO	NAME & DETAILS	CODE NO	SECTIONAL VIEW	REINFORCEMENT	WEIGHT / METER	PACK QTY.	LENGTH (MTRS)
6	Casement Inward Door Sash	I-CW-OT-007	<p>**</p>		1.585	2	5.9
7	SINGLE GLAZING BEAD	I-CW-GT-008			0.325	18	5.9
8	DOUBLE GLAZING BEAD	I-CW-GT-009	<p>*</p>		0.219	15	5.9
9	SMALL COUPLER	I-CW-OT-011			0.300	10	5.9
10	JOINTER	I-CW-OT-013			0.780	4	5.9
11	DOOR PANEL	I-CW-OT-015			0.580	5	5.9
12	LOUVER CLIP	I-CW-OT-016			0.330	10	5.9

13	LOUVER	I-CW-OT-017			0.235	20	5.9
14	60-88 JOINTER	I-CW-OT-018			0.460	10	5.9
15	FLY MULLION	I-CW-OT-020	* 		1.080	4	5.9

* Single Rubber co-extrusion weight add 0.045 kg /m & ** double rubber co-extrusion, weight add 0.09 kg/m & # Specific order

CASEMENT VENTO SERIES - 42 MM

SL. NO	NAME & DETAILS	CODE NO	SECTIONAL VIEW	REINFORCEMENT	WEIGHT / METER	PACK QTY.	LENGTH (MTRS)
1	OUTER FRAME	I-CW-OT-501	* 		0.840	6	5.9
2	T - Mullion	I-CW-OT-502	** 		0.800	4	5.9
3	SINGLE GLAZE BEAD	I-CW-GT-503	* 		0.264	15	5.9

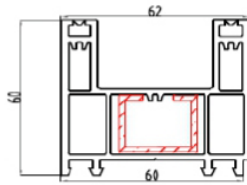
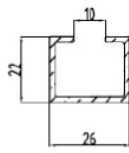
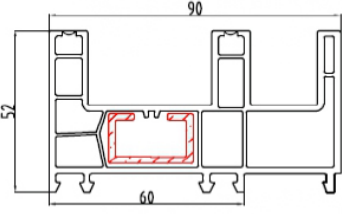
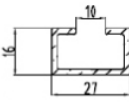
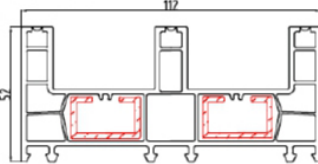
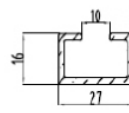
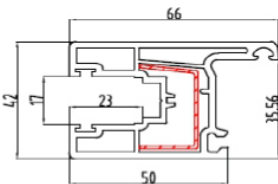
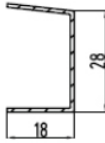
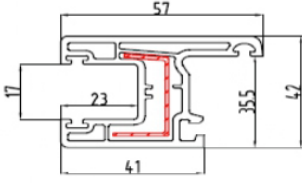

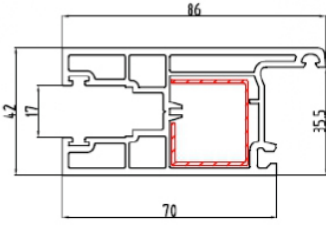
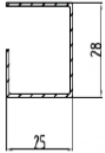
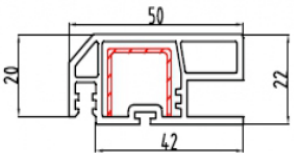
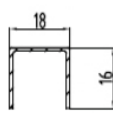
* Single Rubber co-extrusion weight add 0.045 kg /m & ** double rubber co-extrusion, weight add 0.09 kg/m & # Specific order

SLIDING ECO SERIES - 55-80-98 MM

SL. NO	NAME & DETAILS	CODE NO	SECTIONAL VIEW	REINFORCEMENT	WEIGHT / METER	PACK QTY.	LENGTH (MTRS)
1	2.0 Outer Frame	I-ES- OT-107			0.840	6	5.9
2	2.5 Outer Frame	I-ES- OT-101			1.147	4	5.9
3	3.0 Outer Frame	I-ES- OT-108			1.310	4	5.9
4	55 mm Window sash	I-ES- OT-102			0.760	6	5.9
5	80 mm Door Sash	I-ES- GT-103			0.970	4	5.9
6	Screen Sash	I-ES- OT-056			0.470	12	5.9
7	55 mm Sash Cover/ Interlock	I-ES- OT-104			0.220	15	5.9
8	SINGLE GLAZING BEAD 5 MM	I-ES-GT-105			0.225	24	5.9

* Single Rubber co-extrusion weight add 0.045 kg /m & ** double rubber co-extrusion, weight add 0.09 kg/m & # Specific order

SLIDING PYRAMID SERIES - 60-90-110 MM

SL NO	NAME & DETAILS	CODE NO	SECTIONAL VIEW	REINFORCEMENT	WEIGHT / METER	PACK QTY.	LENGTH (MTRS)
1	2.0 TRACK WINDOW FRAME	I-SL- OT-051			1.200	4	5.9
2	2.5 TRACK WINDOW FRAME	I-SL- OT-052A			1.390	4	5.9
3	3.0 TRACK WINDOW FRAME	I-SL- OT-053			1.680	2	5.9
4	66 mm Window sash	I-SL- GT-054	* 		1.045	6	5.9
5	57 mm Window Sash	I-SL- GT-062	* 		0.880	6	5.9
6	86 mm Door Sash	I-SL- GT-055	* 		1.325	4	5.9
7	SCREEN SASH	I-SL- OT-056			0.470	4	5.9

* Single Rubber co-extrusion weight add 0.045 kg /m & ** double rubber co-extrusion, weight add 0.09 kg/m & # Specific order

SLIDING PYRAMID SERIES - 60-90-110 MM

SL. NO	NAME & DETAILS	CODE NO	SECTIONAL VIEW	REINFORCEMENT	WEIGHT / METER	PACK QTY.	LENGTH (MTRS)
8	INTERLOCK	I-SL- OT-057			0.215	15	5.9
9	INTERLOCK	I-SL- OT-058			0.270	15	5.9
10	SINGLE GLAZING BEAD	I-SL- GT-059	* 		0.264	15	5.9
11	DOUBLE GLAZING BEAD	I-SL- GT-060	* 		0.145	15	5.9
12	SASH CONNECTOR	I-SL- OT-061			0.284	10	5.9
13	MULLION	I-SL- OT-065			0.450	9	5.9
14	INTERLOCK	I-SL- OT-066			0.235	15	5.9
15	'T' MULLION	I-SL- OT-072			0.800	10	5.9

* Single Rubber co-extrusion weight add 0.045 kg /m & ** double rubber co-extrusion, weight add 0.09 kg/m & # Specific order



BALAJEE
INTERIOR
Your Solution...Our Shapes...

Shop No. E-53, Shyam Vihar Vistar, Near Anokha Gaon, Harmara, Sikar Road Jaipur

Mobile : +91 98291 19247 | 97837 42731 | 89551 84123

balajeeinterior07@gmail.com | www.balajeeinterior.com